

Series 50 - Media Isolation Valve

Meet today's demands for economy of space and energy consumption.

APPLICATION:

Compact, Series 50 solenoid valves are now configured with molded nylon valve bodies and custom porting which isolate potentially corrosive media from the valve operator for applications in the medical, instrumentation, chemical, and food processing industries. These 2-way normally closed valves, are available for both continuous and intermittent duty, based on the back pressure encountered in operation.

SPECIFICATIONS - OPERATING CONDITIONS

Type: 2-Way Normally Closed

Media: Liquids compatible with Nylon and Nitrile (Gas, possible)

Maximum Inlet Pressure: 50 PSI

Power: 4.25 Watts AC, 7.25 Watts DC

Electrical Connections: 1/4" Spade Terminals

Back Pressure: 5 PSI Maximum

Fluid Connections: Inlet – 1/8 NPT Female Port (Side)
Outlet – 1/8 NPT Male Port (Bottom)

Orifice: 3/64"

Flow: Cv = 0.037

Mounting Position: Vertical Recommended

Coil: Molded – Class A (can be rotated 360°)

Voltages: All common AC and DC Voltages

Options: Silicone or EPDM Diaphragms Available

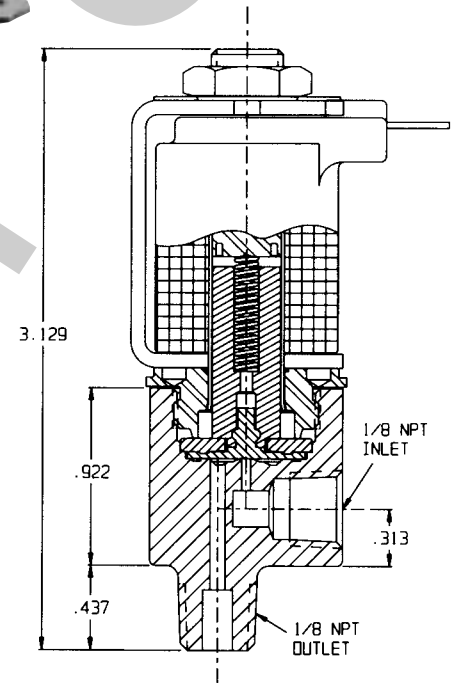
INTERMITTENT DUTY

Maximum Inlet Pressure: 35 PSI

Voltage: All common DC Voltages

Power: 17 Watts DC

Duty Cycle: 0.167 Minutes ON Max.
0.833 Minutes OFF Min.



WATER FLOW

